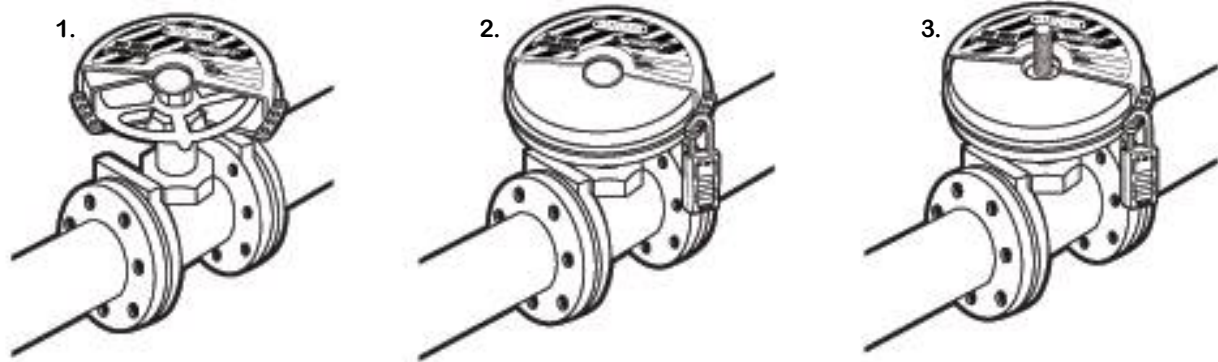


## Rotating Gate Valve Lockout – 480 Range

**Rotating Gate Valve Lockout surrounds the valve operating handle to protect against accidental valve opening.**

- ✓ Fits to confined space applications
- ✓ Five sizes to better adapt to valve operating handle
- ✓ Center knockout can be removed for rising stem gate valves
- ✓ Each size rotates into itself and nests within the next larger size to save space in storage
- ✓ Multiple workers can apply their personal safety locks. Can be locked with 4 padlocks and more with a safety hasp
- ✓ Includes high-visibility permanent « Danger » and « Property of » safety labels (English, French, Spanish). Can be written-on to identify the responsible person, then erased for the next job



480	fits dia valve handle	2.71-8.12cm
481	fits dia valve handle	5.41-13.54cm
482	fits dia valve handle	10.83-17.60cm
483	fits dia valve handle	16.24-27.07cm
484	fits dia valve handle	21.66-35.19cm

### Technical Features

- Tough, lightweight dielectric Xenoy® thermoplastic bodies
- Heat resistance from -47°C to 177°C
- Chemical resistance
- Corrosion resistance
- Weatherability
- U.V stable